

CONTROL UNIT CV-01

Dokument Centralapparatcv-01 engelsk/ /040914

Flik 12



The CV-01 control units is intended for fire alarm and fire suppression installations mainly on vehicles of all varieties but is also suitable for local application and small total flooding systems in special applications.

They can be used for automatic as well as manual release of the extinguishing medium.

A microprocessor provides continuous and intelligent monitoring of all vital functions. Faults are indicated on the front panel. All fault and alarm functions can be tested.

Unsurpassed ease of installation has been achieved by separating the electronics from the user interface. The attractive design enables the panel to blend in beautifully in most environments and thanks to clever engineering the text is interchangeable for different languages.

Design

The CV-01 control unit consists of two different parts. The electronics are housed in an IP 67 polycarbonate casing that also serves as a junction box. The other part is the alarm panel providing the operator with system status as well as offering manual release and test/reset of the system.

The alarm panel is connected to the junction box by a single cable and the fire suppression system is fully operational even if the connection is broken.

The approach of separated units enables a very compact and easily fitted alarm panel that through its attractive design will blend in every environment while the junction box can be situated where it is most convenient with respect to peripherals and maintenance.

Operation

The unit can work in either manual or automatic mode. The mode is set by remote (for instance by the ignition key or the parking brake), and is indicated by a led. There is constant supervision of the detection and release circuits and led's will warn immediately if a fault should occur.

A wide range of detectors can be hooked up to the system. If a detector goes in to alarm, the Fire Alarm led will flash red and externally connected devices, such as horns, sirens, rotating lights, shutdown functions etc. will be activated. If the unit is in automatic mode, the system will release. If the system is in manual mode, the system will release only if the Release Button is depressed. This button can also be utilised for manual release at any time.

The Test Reset button is used to test the system during normal operation or to reset the system after discharge.



Front view Alarm Panel

1. Manual Release
releases the system when depressed
2. Fire Alarm
red led lights up when a fire is detected
3. Cylinder Fault
yellow led lights up if there is a fault in the release circuit or low pressure in the cylinder
4. Detector Fault
yellow led lights up if there is a fault in the detection circuit
5. Power
green led is lit during normal system operation
6. Test Reset
performs a system test during normal operation when depressed. Also used to reset the system after discharge.

Specifications

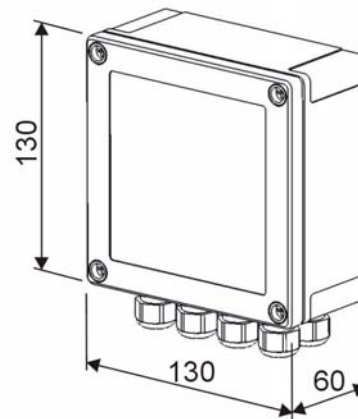
Supply voltage	9 -38 VDC
Current consumption, automatic mode	25 mA
Current consumption, manual mode	40 mA
Current consumption, alarm	Approx. 200 mA
Inputs	Detection circuit Pressure switch Automatic release override (manual)
Outputs	Release circuit (supervised) Fire alarm (intermittent) Fire alarm (continuous) Shut down functions (continuous)
Time delay	7 seconds on board programmable
Maximum permissible load on outputs	3,5 A
Panel mounting	Optional flush or recessed installation as standard

Options

- Customized delay times
- Interchangeable language on display panel
- Brand labelling and custom colours easily achieved
- Optional version with self-contained battery pack is (ultra low standby power consumption) available

Dimensions

Junction Box



Alarm Panel

