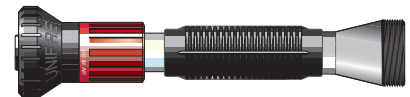


Unifire *OUTPUT*



Pistol grip



Straight model



Attachable foampipes

NEW!!!

UNIFIRE OUTPUT - New Professional firefighting nozzle that puts safety of the operator in focus. Generate a wide, full and effective protecting fogscreen immediately when opened. A minimum of moving parts means maximum reliability. Well suited for ACTION-technique extinguishing. Moving parts are not affected by the waterpressure.

Available models

Supplied with ergonomic pistol grip and swivelling connection. Also available as straight version. Flowcapacities 12, 14 or 16 mm. Excellent for non-aspirating foam applications or low and medium expansion foam with attachable foampipe

Operation

Twist the nozzle head to open. Generates a wide, full fogscreen. 3/4 of a turn from shut to jet position.

Operating pressure

Recommended operating pressure 3-15 bar
Max operating pressure 20 bar

Weight and measurements

Weight: 2,6 kg pistol grip, 1" swivelling connection
Length with 1" threads: 310 mm,
Handle length: 120 mm
Rubber head Ø : 83 mm

Connections

1" or 2" BSP male threads

Material

Brass, stainless steel, solid rubber bumper and handle.

Capacities 12 mm version*

Pressure (Bar)	Fog 100°		Jet	
	Flow (lpm)	Range (m)	Flow (lpm)	Range (m)
6	220	10	220	30
10	285	12	285	33

Capacities 14 mm version*

Pressure (Bar)	Fog 100°		Jet	
	Flow (lpm)	Range (m)	Flow (lpm)	Range (m)
6	300	12	300	34
10	380	14	380	37

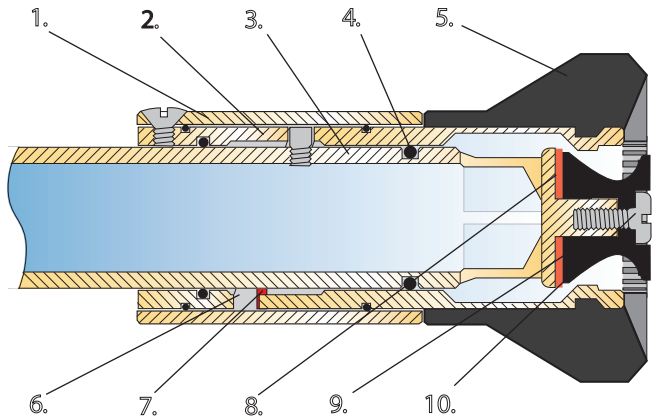
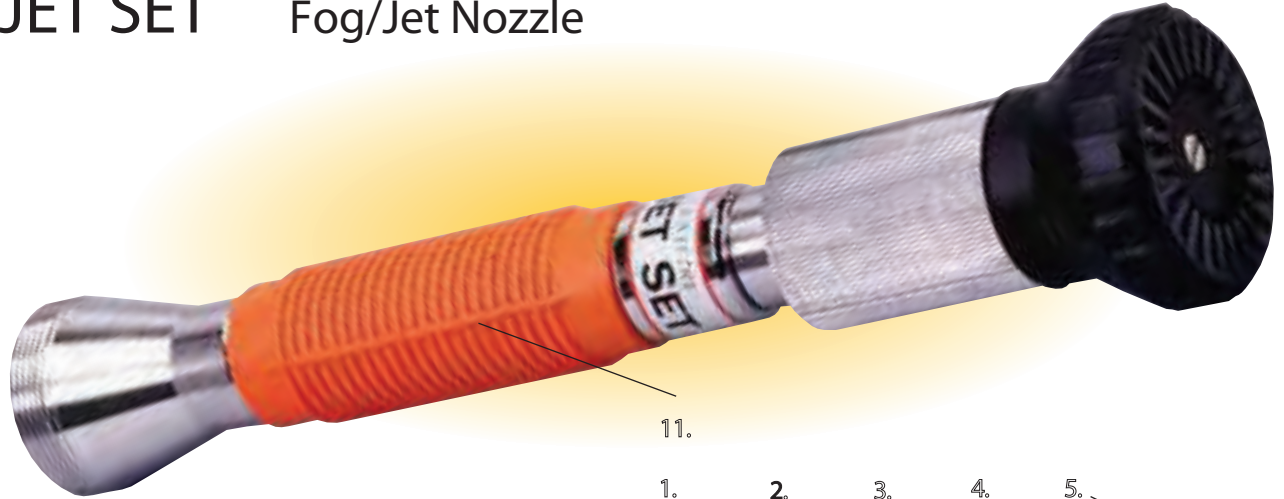
Capacities 16 mm version*

Pressure (Bar)	Fog 100°		Jet	
	Flow (lpm)	Range (m)	Flow (lpm)	Range (m)
6	410	14	410	38
10	510	18	510	42

*= approximate calculated values.

Article No: JET30110 / 30120

JET SET Fog/Jet Nozzle



How to operate

Twist the nozzle head to select flow and fog angle.
Shut off › Mini Jet › Protecting screen ›
Long range fog › 300 lpm Jet › 150 lpm Jet

Applications

Firefighting with fog or jet. Supplies multiple setting-choices, merely selected by twisting the nozzle head.

Operating pressure

2 - 10 bar

Weight

2.3 Kg with 2" thread connection

Measurements

Length: 38 cm with 2" thread connection
Nozzle Ø: 8.3 cm

Connections

1" or 2" BSP male threads

Capacities

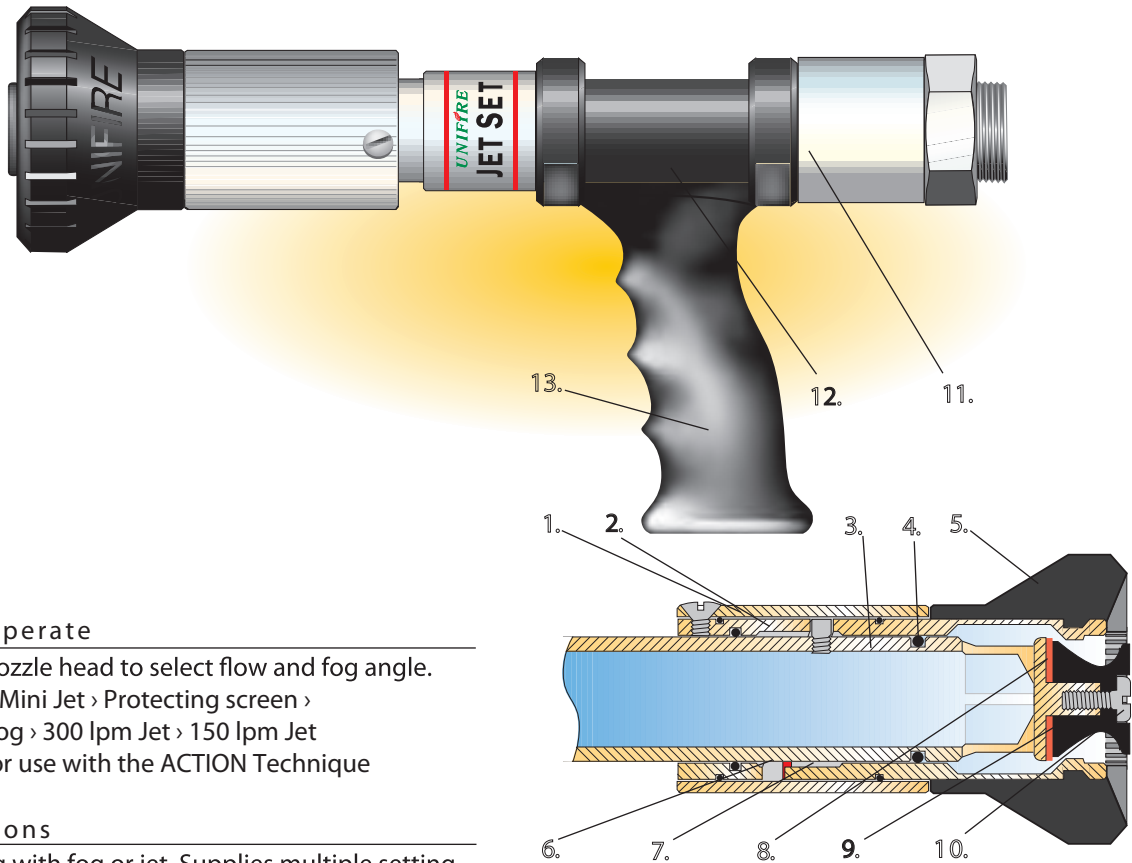
Material

- 1. Friction CoverChromeplated Brass
- 2. ManeuveringChromeplated Brass
- 3. CenterChromeplated Brass
- 4. O-rings.....Nitril rubber
- 5. Rubber HeadHigh quality rubber
- 6. OilSilicone oil
- 7. Max Fog FixBrass
- 8. SealVulkolan
- 9. Baffle.....Delrin
- 10. Screws (All).....Stainless steel
- 11. Handle (Cover)PVC (plastic)

Pressure Bar	Mini Jet		Fog 110°		Full Jet		Half Jet	
	Flow lpm	Range meters	Flow lpm	Range meters	Flow lpm	Range meters	Flow lpm	Range meters
6	0-55	19	310	9-15	315	31	160	28
10	0-72	25	390	17-25	370	37	190	36

Article No: JET30310 / 30320

JET SET Pistol Fog/Jet Nozzle



How to operate

Twist the nozzle head to select flow and fog angle.
 Shut off › Mini Jet › Protecting screen ›
 20° Powerfog › 300 lpm Jet › 150 lpm Jet
 Intended for use with the ACTION Technique

Applications

Firefighting with fog or jet. Supplies multiple setting-choices, merely selected by twisting the head.

Operating pressure

2 - 10 Bar

Weight

2.6 Kg with 1" BSP male threads

Measurements

Length: 33 cm with 1" male threads
 Nozzle Ø: 8.3 cm

Connections

1" or 2" BSP Male threads, swivelling connection.

Capacities

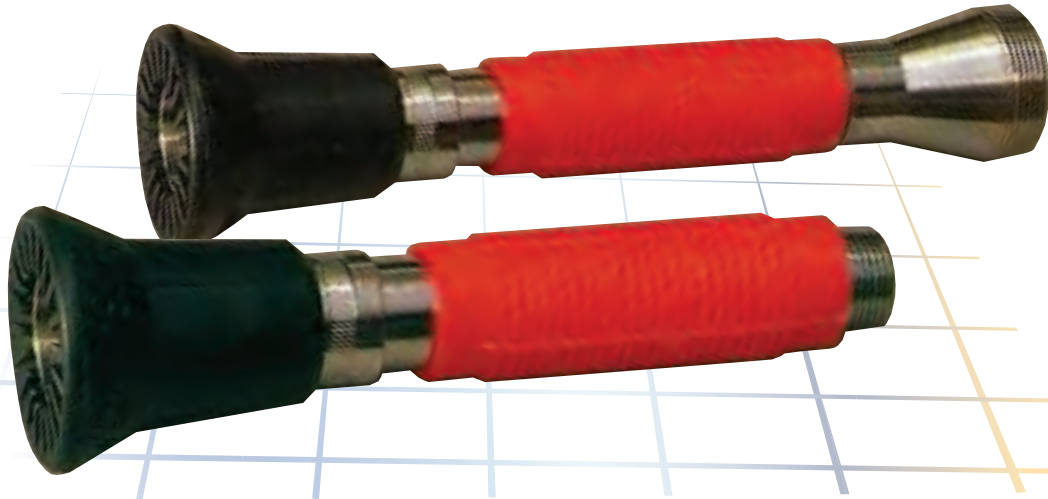
Material

- 1. Friction CoverChromeplated Brass
- 2. ManeuveringChromeplated Brass
- 3. CenterChromeplated Brass
- 4. O-ringsNitril rubber
- 5. Rubber HeadChloroprene rubber
- 6. LubricationSilicone oil
- 7. Max Fog Fix rollBrass
- 8. SealVulkolan
- 9. BafflePOM
- 10. Screws (All)Stainless steel
- 11. SwivelChromeplated Brass /Teflon
- 12. PipesAcidproof stainless steel
- 13. Pistol GripRubber / Stainless steel

Pressure Bar	Mini Jet		Fog 110°		Full Jet		Half Jet	
	Flow lpm	Range meters	Flow lpm	Range meters	Flow lpm	Range meters	Flow lpm	Range meters
6	0-55	19	310	9-15	315	31	160	28
10	0-72	25	390	17-25	370	37	190	36

Article No: VMU20110 / 20120

Unifire V20 Nozzle



The Unifire V-nozzle is a multi-purpose fognozzle with very good performance for both fog and jet. The V-nozzles are available in both long and short versions. The V-nozzle can be combined with an attachable foam-tube for heavy and medium foam. The V-nozzles are used on a number of Unifire products. Look for the V-nozzle logotype.



The UNIFIRE V-nozzles are available in sizes 7, 10, 12, 14, 16, 18, and 20

How to operate

Twist the nozzle head to select spray-pattern
-Stepless adjustable from shut-off via jet to 90° fog.

Applications

Fireextinguishing with fog or jet. Proven very reliable. Designed for heavy professional use.

Operating pressure

2 - 12 Bar

Material

Chromepated brass, red plastic cover and rubber bumper head.

Weight & Measurements (With 2" conn.)

Length: 330 mm
Nozzle Ø: 80 mm
Weight: 1.7 kgs

Connections

1" or 2" BSP Male thread. (Short version 1" female)

Maintenance / Spareparts

The nozzle is practically maintenance-free. Only spare part is the baffle and its screw.

Approvals

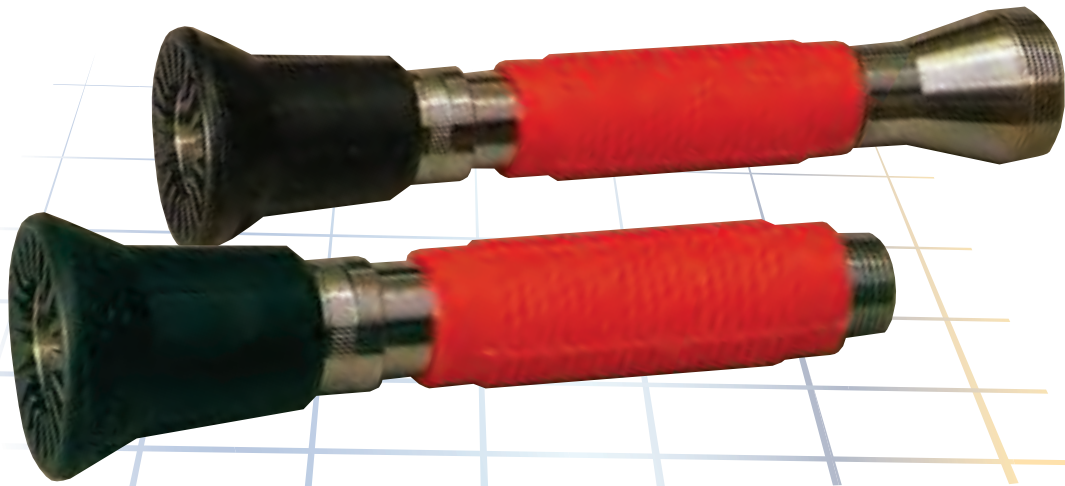
Nozzle approved by: Lloyd's & Det Norske Veritas
Mfg'd at ISO 9001:2000 & 14001:2004 certified facilities

Capacities UNIFIRE V20 nozzle

Pressure Bar	Jet		Fog 90 °	
	Flow lpm	Range meters	Flow lpm	Range meters
2	252	27	285	11
6	442	37	480	13
10	576	43	650	16

Article No: VMU18110 / 18120

Unifire V18 Nozzle



The Unifire V-nozzle is a multi-purpose fognozzle with very good performance for both fog and jet. The V-nozzles are available in both long and short versions. The V-nozzle can be combined with an attachable foam-tube for heavy and medium foam. The V-nozzles are used on a number of Unifire products. Look for the V-nozzle logotype.



The UNIFIRE V-nozzles are available in sizes 7, 10, 12, 14, 16, 18, and 20

How to operate

Twist the nozzle head to select spray-pattern
-Stepless adjustable from shut-off via jet to 90° fog.

Applications

Fireextinguishing with fog or jet. Proven very reliable.
Designed for heavy professional use.

Operating pressure

2 - 10 Bar

Material

Chromeplated brass, red plastic cover and rubber bumper head.

Weight & Measurements (With 2" conn.)

Length: 330 mm
Nozzle Ø: 80 mm
Weight: 1.7 kgs

Connections

1" or 2" BSP Male thread. (Short version 1" female)

Maintenance / Spareparts

The nozzle is practically maintenance -free. Only spare part is the baffle and its screw.

Approvals

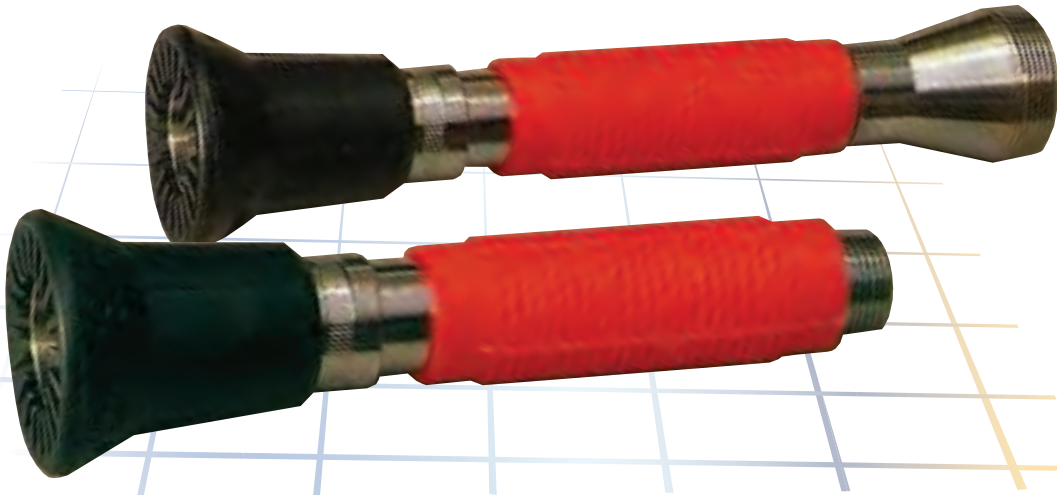
Nozzle approved by: Lloyd's & Det Norske Veritas
Mfg'd at ISO 9001:2000 & 14001:2004 certified facilities

Capacities UNIFIRE V18 nozzle

Pressure Bar	Jet		Fog 90 °	
	Flow lpm	Range meters	Flow lpm	Range meters
2	226	26	265	11
6	396	36	465	13
10	511	42	605	16

Article No: VMU16110 / 16120

Unifire V16 Nozzle



The Unifire V-nozzle is a multi-purpose fognozzle with very good performance for both fog and jet. The V-nozzles are available in both long and short versions. The V-nozzle can be combined with an attachable foam-tube for heavy and medium foam. The V-nozzles are used on a number of Unifire products. Look for the V-nozzle logotype.



The UNIFIRE V-nozzles are available in sizes 7, 10, 12, 14, 16, 18, and 20

How to operate

Twist the nozzle head to select spray-pattern
-Stepless adjustable from shut-off via jet to 90° fog.

Applications

Fireextinguishing with fog or jet. Proven very reliable. Designed for heavy professional use.

Operating pressure

2 - 10 Bar.

Material

Chromeplated brass, red plastic cover and rubber bumper head.

Weight & Measurements (With 2" conn.)

Length: 330 mm
Nozzle Ø: 80 mm
Weight: 1.7 kgs

Connections

1" or 2" BSP Male thread. (Short version 1" female)

Maintenance / Spareparts

The nozzle is practically maintenance-free. Only spare part is the baffle and its screw.

Approvals

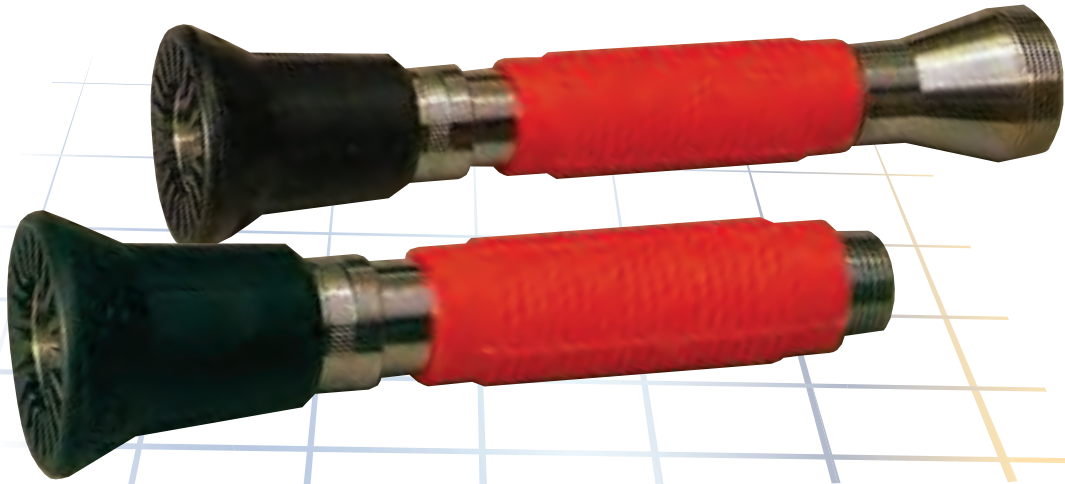
Nozzle approved by: Lloyd's & Det Norske Veritas
Mfg'd at ISO 9001:2000 & 14001:2004 certified facilities

Capacities UNIFIRE V16 nozzle

Pressure Bar	Jet		Fog 90 °	
	Flow lpm	Range meters	Flow lpm	Range meters
2	205	26	240	10
6	356	34	405	13
10	462	40	550	14

Article No: VMU14110 / 141120

Unifire V14 Nozzle



The Unifire V-nozzle is a multi-purpose fognozzle with very good performance for both fog and jet. The V-nozzles are available in both long and short versions. The V-nozzle can be combined with an attachable foam-tube for heavy and medium foam. The V-nozzles are used on a number of Unifire products. Look for the V-nozzle logotype.



The UNIFIRE V-nozzles are available in sizes 7, 10, 12, 14, 16, 18, and 20

How to operate

Twist the nozzle head to select spray-pattern
-Stepless adjustable from shut-off via jet to 90° fog.

Applications

Fireextinguishing with fog or jet. Proven very reliable.
Designed for heavy professional use.

Operating pressure

2 - 12 Bar

Material

Chromeplated brass, red plastic cover and rubber bumper head.

Weight & Measurements (With 2" conn.)

Length: 330 mm
Nozzle Ø: 80 mm
Weight: 1.7 kgs

Connections

1" or 2" BSP Male thread. (Short version 1" female)

Maintenance / Spareparts

The nozzle is practically maintenance -free. Only spare part is the baffle and its screw.

Approvals

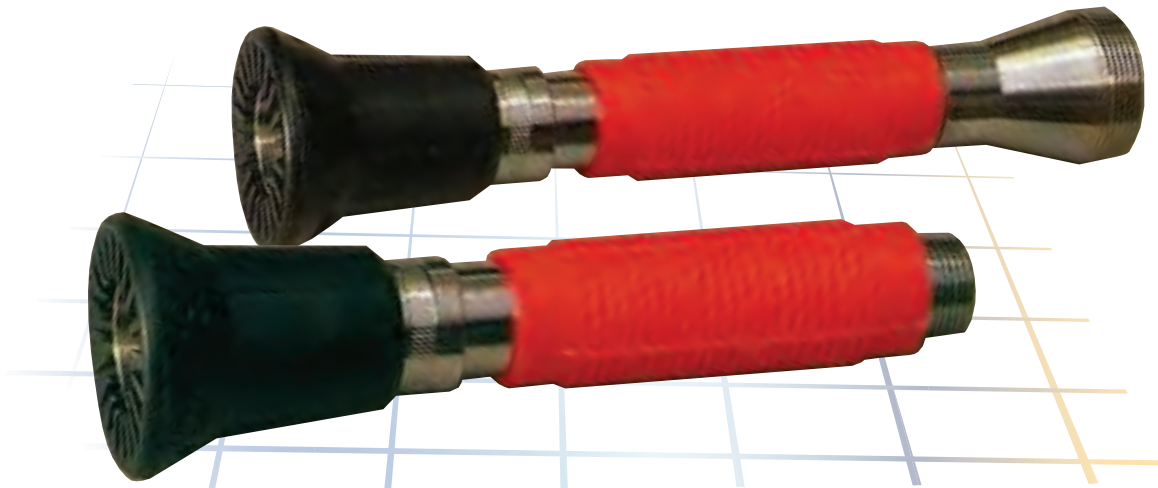
Nozzle approved by: Lloyd's & Det Norske Veritas
Mfg'd at ISO 9001:2000 & 14001:2004 certified facilities

Capacities UNIFIRE V14 nozzle

Pressure Bar	Jet		Fog 90 °	
	Flow lpm	Range meters	Flow lpm	Range meters
2	166	23	210	10
6	291	33	370	13
10	376	38	490	14

Article No: VMU12110 / 12120

Unifire V12 Nozzle



The Unifire V-nozzle is a multi-purpose fognozzle with very good performance for both fog and jet. The V-nozzles are available in both long and short versions. The V-nozzle can be combined with an attachable foam-tube for heavy and medium foam. The V-nozzles are used on a number of Unifire products. Look for the V-nozzle logotype.



The UNIFIRE V-nozzles are available in sizes 7, 10, 12, 14, 16, 18, and 20

How to operate

Twist the nozzle head to select spray-pattern
-Stepless adjustable from shut-off via jet to 90° fog.

Applications

Fireextinguishing with fog or jet. Proven very reliable.
Designed for heavy professional use.

Operating pressure

2 - 12 Bar

Material

Chromeplated brass, red plastic cover and rubber bumper head.

Weight & Measurements (With 2" conn.)

Length: 330 mm
Nozzle Ø: 80 mm
Weight: 1.7 kgs

Connections

1" or 2" BSP Male thread. (Short version 1" female)

Maintenance / Spareparts

The nozzle is practically maintenance -free. Only spare part is the baffle and its screw.

Approvals

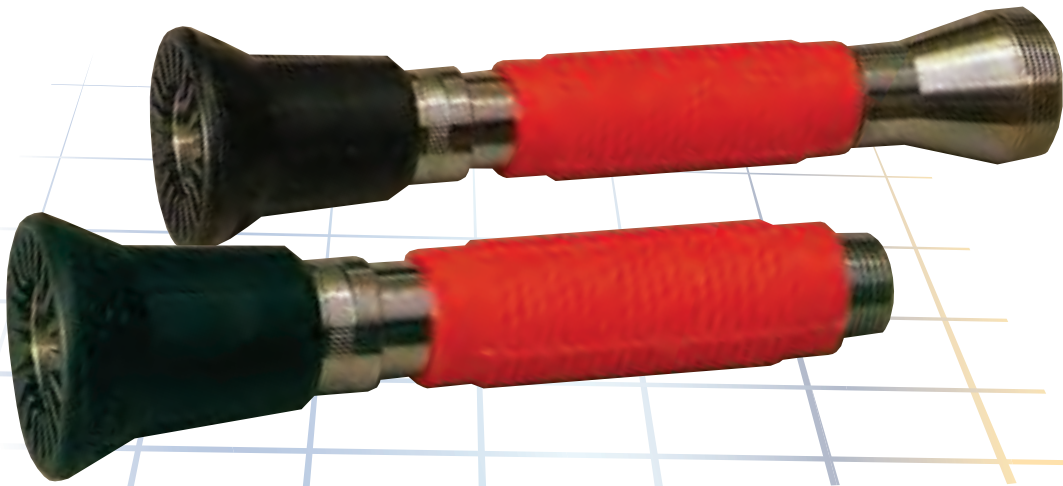
Nozzle approved by: Lloyd's & Det Norske Veritas
Mfg'd at ISO 9001:2000 & 14001:2004 certified facilities

Capacities UNIFIRE V12 nozzle

Pressure Bar	Jet		Fog 90 °	
	Flow lpm	Range meters	Flow lpm	Range meters
2	134	22	184	10
6	233	32	325	13
10	302	37	400	14

Article No: VMU10110 / 10120

Unifire V10 Nozzle



The Unifire V-nozzle is a multi-purpose fognozzle with very good performance for both fog and jet. The V-nozzles are available in both long and short versions. The V-nozzle can be combined with an attachable foam-tube for heavy and medium foam. The V-nozzles are used on a number of Unifire products. Look for the V-nozzle logotype.



The UNIFIRE V-nozzles are available in sizes 7, 10, 12, 14, 16, 18, and 20

How to operate

Twist the nozzle head to select spray-pattern
-Stepless adjustable from shut-off via jet to 90° fog.

Applications

Fireextinguishing with fog or jet. Proven very reliable.
Designed for heavy professional use.

Operating pressure

2 - 12 Bar

Material

Chromeplated brass, red plastic cover and rubber bumper head.

Weight & Measurements (With 2" conn.)

Length: 330 mm
Nozzle Ø: 80 mm
Weight: 1.7 kgs

Connections

1" or 2" BSP Male thread. (Short version 1" female)

Maintenance / Spareparts

The nozzle is practically maintenance -free. Only spare part is the baffle and its screw.

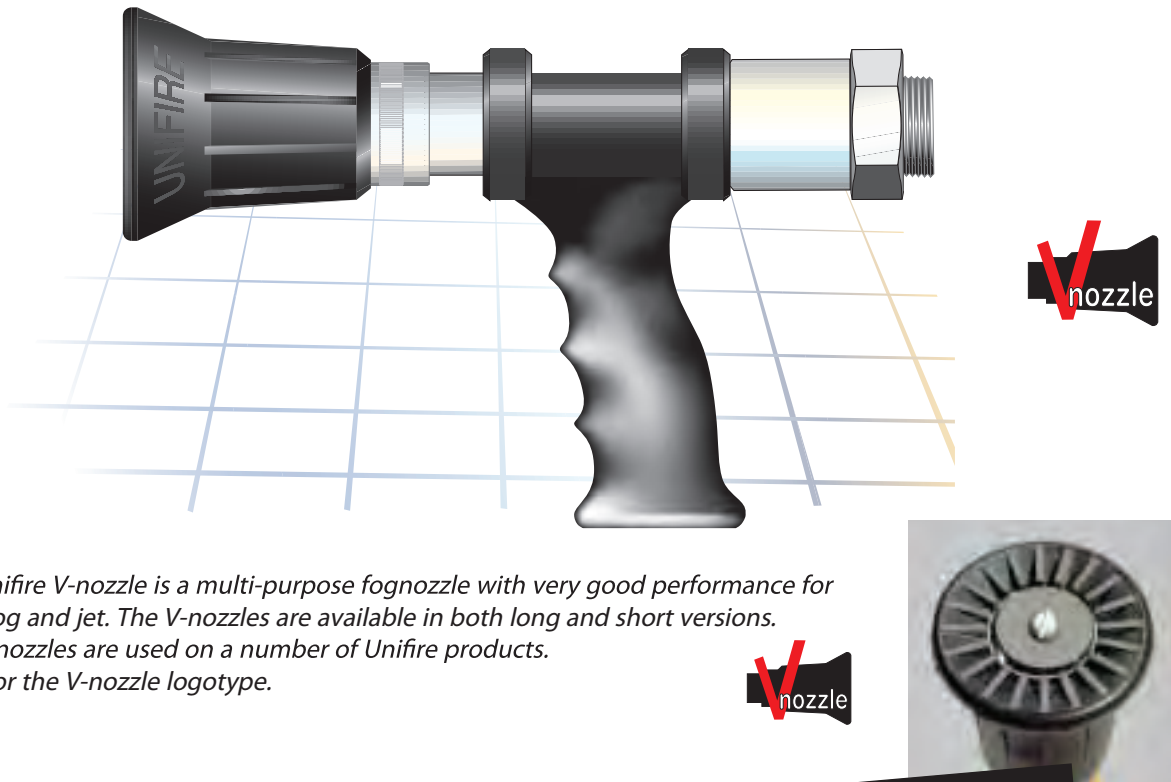
Approvals

Nozzle approved by: Lloyd's & Det Norske Veritas
Mfg'd at ISO 9001:2000 & 14001:2004 certified facilities

Capacities UNIFIRE V10 nozzle

Pressure Bar	Jet		Fog 90 °	
	Flow lpm	Range meters	Flow lpm	Range meters
2	95	18	179	10
6	163	31	315	10
10	211	36	365	13

V-Nozzle Pistol for firefighting and industrial use



The Unifire V-nozzle is a multi-purpose fognozzle with very good performance for both fog and jet. The V-nozzles are available in both long and short versions. The V-nozzles are used on a number of Unifire products. Look for the V-nozzle logotype.

How to operate

Twist the nozzle head to select spray-pattern
-Stepless adjustable from shut-off via jet to 90° fog.

Applications

Fireextinguishing with fog or jet. Proven very reliable. Designed for heavy professional use.

Operating pressure

Recommended operating pressure: 2 - 12 Bar
Max operating pressure 15 bar

Weight and measurements

Length: 210 mm Nozzle Ø : 80 mm
Weight with 1": 2,0 kg

Connections

1" or 2" BSP male threads

Material

Chromeplated brass, red plastic cover and rubber bumper head.

Maintenance and spareparts

The nozzle is practically maintenance-free. Only spare-part is the baffle and its screw.

The UNIFIRE V-nozzles are available in sizes 12, 16 and 20

Capacities Unifire V-nozzles

Pressure Bar	Jet		Fog 90°	
	Flow lit/min	Range meters	Flow lit/min	Range meters
V12				
2	134	22	184	10
6	233	32	325	13
10	302	37	400	14
V16				
2	205	26	240	10
6	356	34	405	13
10	462	40	550	14
V20				
2	252	27	285	11
6	442	37	480	13
10	576	43	650	16

Article No: UFC10

Unifighter 10C



The Unifighters are professional nozzles for firefighting and industrial use. The Unifighters are available with two different capacities: 7C, and 10C. They deliver a constant flow regardless of fog angle.

How to operate

Twist the nozzle head to select spray-pattern
-Stepless adjustable from shut-off via protecting screen to fog to jet

Applications

All-round nozzle for smaller fires, bush fires e.t.c.
Very efficient and reliable.
Also well suited for heavy industrial use.

Operating pressure

2 - 15 bar
Max operating pressure: 20 bar

Weight

Short Version : 0.5 kg
Long Version: 0.7 kg

Measurements

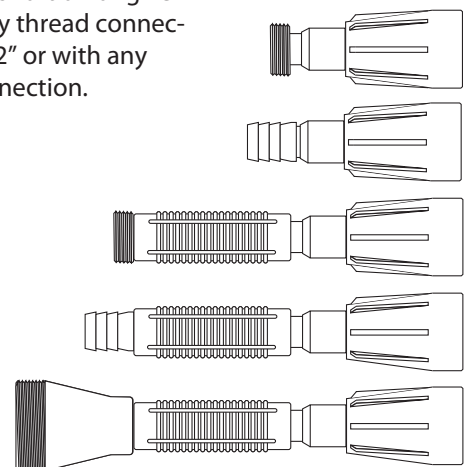
Short Version : L: 12.5 cm Ø: 5.2 cm
Long Version: L: 25 cm Ø: 5.2 cm

Material

Chromeplated brass, red plastic cover and rubber bumper head. Stainless steel screws and silicone oil lubrication

Connections

Available in short or long version with any thread connection 1/2" to 2" or with any hoesetail connection.



Capacities Unifighter 10C

Pressure Bar	Fog 100°		Jet	
	lpm	Distance/m	lpm	Distance/m
3	108	max 7	108	10-14
6	152	max 11	152	18-22
8	177	max 12	177	21-24
10	197	max 13	197	22-26

Article No: UFC07

Unifighter 7C



The Unifighters are professional nozzles for firefighting and industrial use. The Unifighters are available with two different capacities: 7C, and 10C. They deliver a constant flow regardless of fog angle.

How to operate

Twist the nozzle head to select spray-pattern
-Stepless adjustable from shut-off via protecting screen to fog to jet

Applications

All-round nozzle for smaller fires, bush fires e.t.c.
Very efficient and reliable.
Also well suited for heavy industrial use.

Operating pressure

2 - 15 bar
Max operating pressure: 20 bar

Weight

Short Version : 0.5 kg
Long Version: 0.7 kg

Measurements

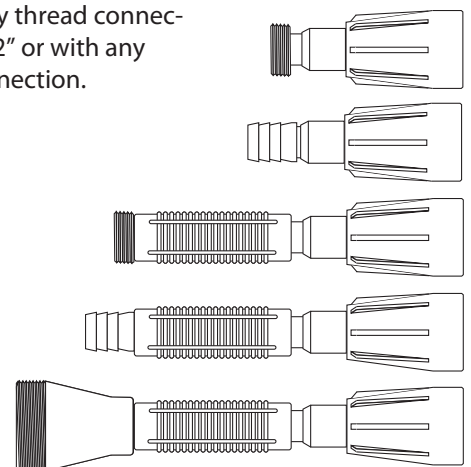
Short Version : L: 12.5 cm Ø: 5.2 cm
Long Version: L: 25 cm Ø: 5.2 cm

Material

Chromeplated brass, red plastic cover and rubber bumper head. Stainless steel screws and silicone oil lubrication

Connections

Available in short or long version with any thread connection 1/2" to 2" or with any hosietail connection.



Capacities Unifighter 7C

Pressure Bar	Fog 100°		Jet	
	lpm	Distance/m	lpm	Distance/m
3	53	max 4	53	11-13
6	76	max 6	76	15-17
8	89	max 7	89	16-19
10	99	max 8	99	17-20

Unifighter 7C and 10C Pistolgrip

for firefighting and industrial use



**NEW ergonomic pistolgrip
made of stainless steel
and solid rubber !!**

The Unifighters are professional nozzles for firefighting and industrial use. The Unifighters are available with two different capacities: 7C, and 10C. They deliver a constant flow regardless of fog angle.

How to operate

Twist the nozzle head to select spray-pattern
-Stepless adjustable from shut-off via protecting screen to fog to jet

Applications

All-round nozzle for smaller fires, bush fires e.t.c.
Very efficient and reliable.
Also well suited for heavy industrial use.

Operating pressure

2 - 15 bar
Max operating pressure: 20 bar

Weight

Pistol grip with 1" male threads: 1,3 Kg

Measurements

Short Version : L: 12.5 cm Ø: 5.2 cm
Long Version: L: 25 cm Ø: 5.2 cm

Material

Chromeplated brass, red plastic cover and rubber bumper head. Stainless steel screws and silicone oil lubrication

Connections

Available with 1" or 2" male threads.
Optional swivelling connection.

Capacities Unifighter 10C

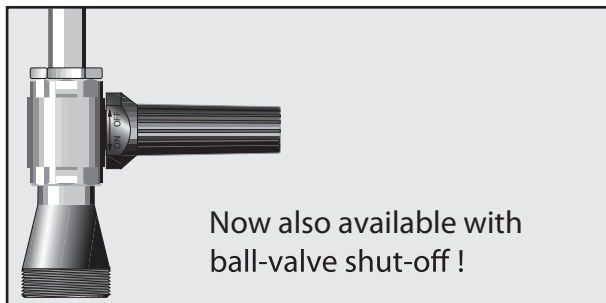
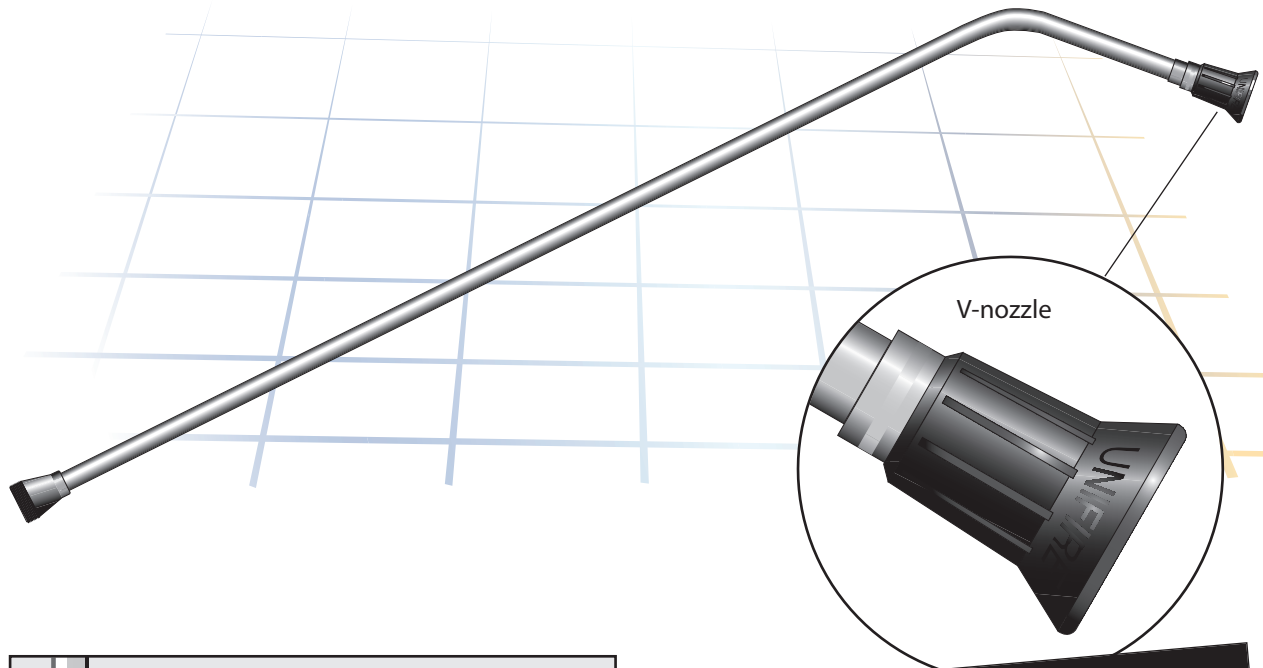
Pressure Bar	Fog 100°		Jet	
	lpm	Distance/m	lpm	Distance/m
3	108	max 7	108	10-14
6	152	max 11	152	18-22
8	177	max 12	177	21-24
10	197	max 13	197	22-26

Capacities Unifighter 7C

Pressure Bar	Fog 100°		Jet	
	lpm	Distance/m	lpm	Distance/m
3	53	max 4	53	11-13
6	76	max 6	76	15-17
8	89	max 7	89	16-19
10	99	max 8	99	17-20

Article No: EXT12710, EXT12720

Extension Pipe 6ft



The Extension Pipes are also available with UNIFIRE V-nozzles sizes 7 and 10.

Operating pressure
2 - 8 Bar

Connections
1" or 2" BSP Male thread

Approvals
Nozzle approved by Lloyd, Det Norske Veritas

Capacities with UNIFIRE V12 nozzle

Pressure Bar	Jet		Fog 90°	
	Flow lpm	Range meters	Flow lpm	Range meters
2	134	22	184	10
6	233	32	325	13

How to operate

Twist the nozzle head to select spray-pattern
-Stepless adjustable from shut-off via jet to 90° fog.

Applications

Applying water fog into burning areas from a safe position.

Material

Acidproof stainless steel pipe, chromeplated brass nozzle with rubber bumper head.

Weight & Measurements (With 2" conn.)

Weight: 3.0 Kgs without ball-valve
Length: 200 cm,
Nozzle Ø: 8 cm, Pipe Ø: 2.5 cm